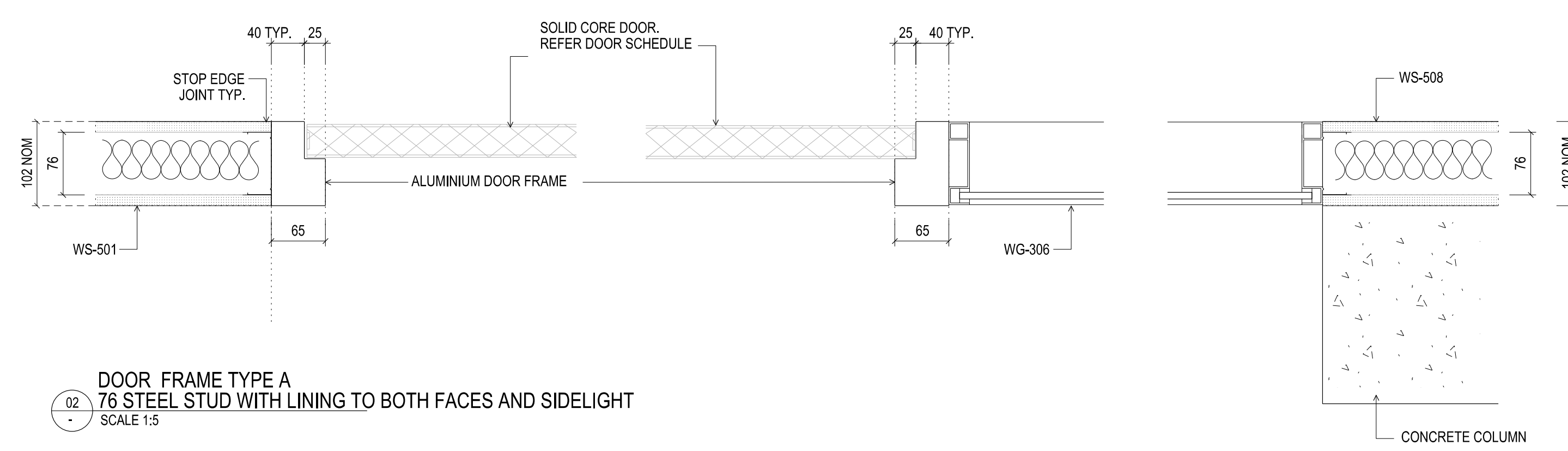


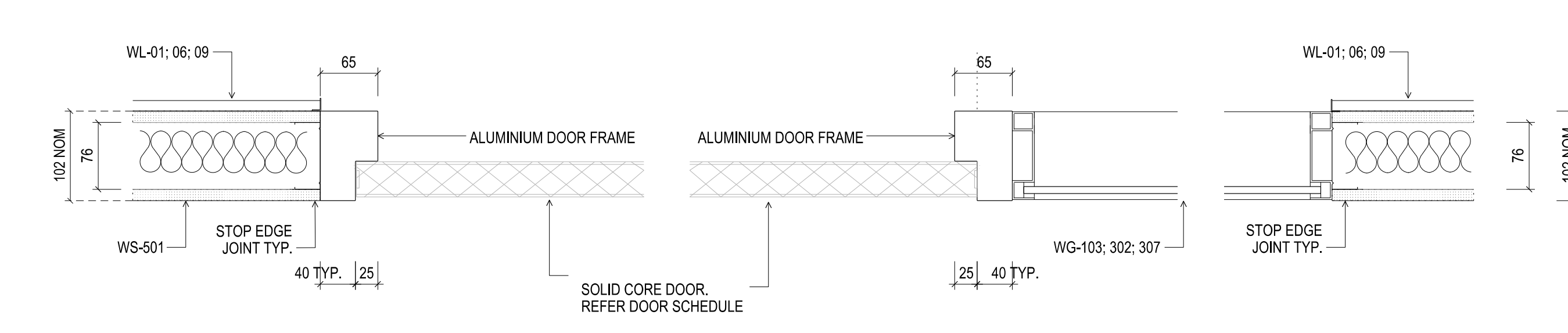
DOOR FRAME TYPE A
76 STEEL STUD WITH LINING TO BOTH FACES AND SIDELIGHT
SCALE 1:5

TO SUIT WALL TYPE WS-501 + WG-302 DOORS D3-72



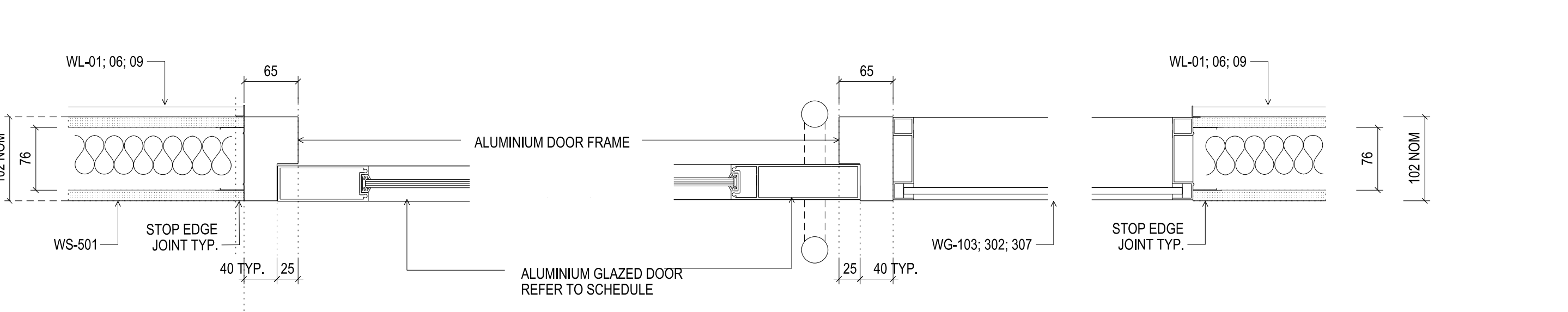
DOOR FRAME TYPE A
76 STEEL STUD WITH LINING TO BOTH FACES AND SIDELIGHT
SCALE 1:5

TO SUIT WALL TYPE WS-501 + WG-306 DOORS D2-12



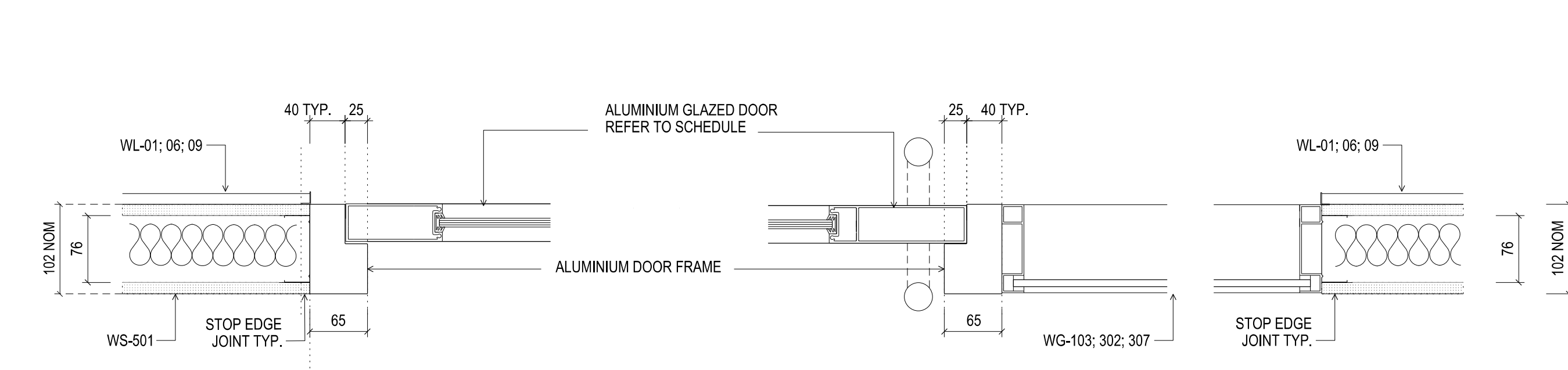
DOOR FRAME TYPE A
76 STEEL STUD WITH LINING TO BOTH FACES AND SIDELIGHT
SCALE 1:5

TO SUIT WALL TYPE WS-501 AND WG-103;307;302 DOORS D4-47



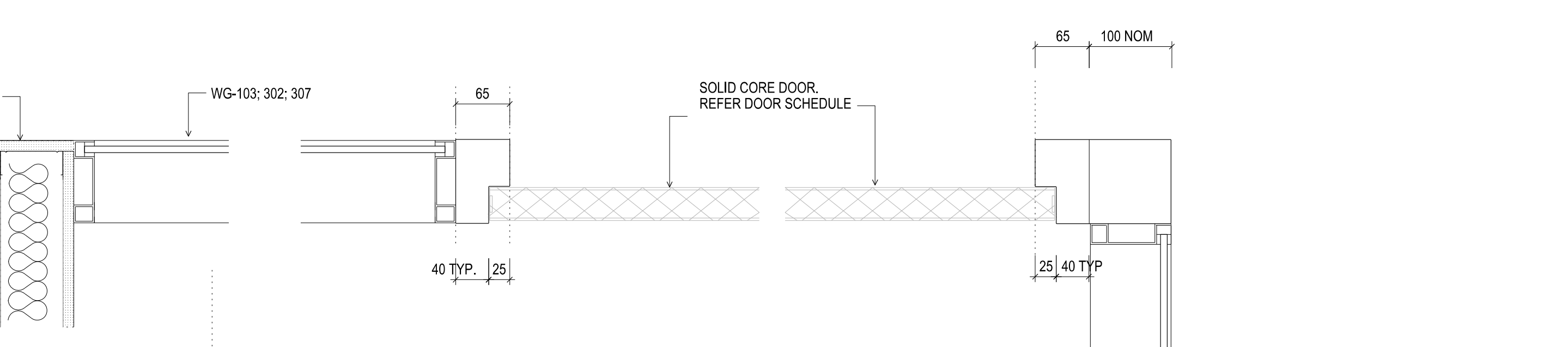
DOOR FRAME TYPE A
76 STEEL STUD WITH LINING TO BOTH FACES AND SIDELIGHT
SCALE 1:5

TO SUIT WALL TYPE WS-501 AND WG-103;307;302 DOORS D4-48, D4-56



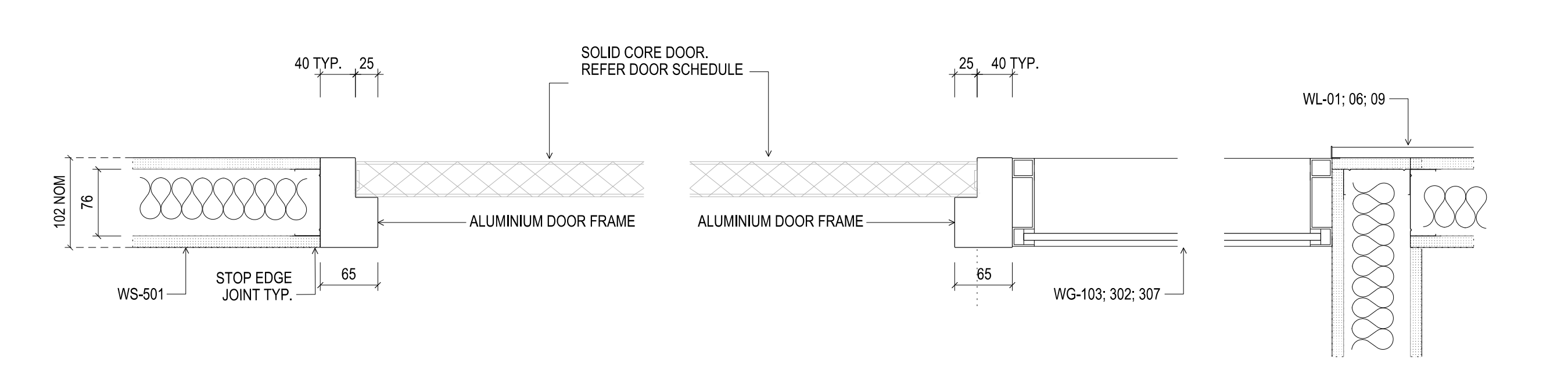
DOOR FRAME TYPE A
76 STEEL STUD WITH LINING TO BOTH FACES AND SIDELIGHT
SCALE 1:5

TO SUIT WALL TYPE WS-501 AND WG-103; WG-307;302 DOORS D4-51, D4-57



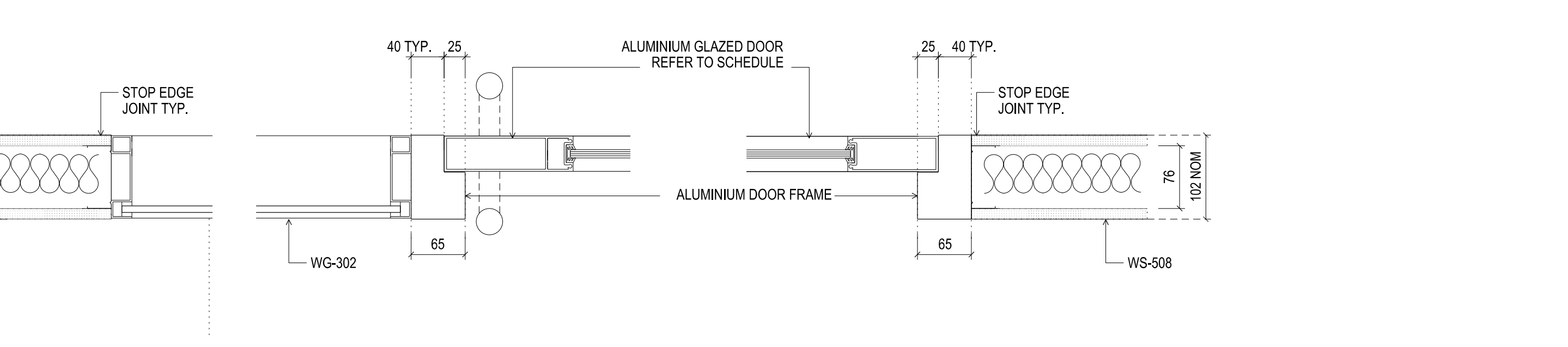
DOOR FRAME TYPE A
76 STEEL STUD WITH LINING TO BOTH FACES AND SIDELIGHT
SCALE 1:5

TO SUIT WALL TYPE WS-508 + WG-103; 302; 307 DOORS D3-14



DOOR FRAME TYPE A
76 STEEL STUD WITH LINING TO BOTH FACES AND SIDELIGHT
SCALE 1:5

TO SUIT WALL TYPE WS-501 + WG-103; 302; 307 DOORS D3-52



DOOR FRAME TYPE A
76 STEEL STUD WITH LINING TO BOTH SIDES AND SIDELIGHT
SCALE 1:5

TO SUIT WALL TYPE WS-508 DOORS D3-62

Rev	Issue	Revision Description	Amd	Date
A	SG	ISSUED FOR CONSTRUCTION		21.10.13



NADAAA
NADAAA
1020 Washington Street No.2 Boston Massachusetts 02118 USA
Telephone +1 617 442 8232 Facsimile +1 688 442 1417 Email nad@nadaaa.com

John Wardle Architects
25 Rokeby Street, Collingwood, Victoria 3066 Australia
Tel : +61 3 8662 0400 www.johnwardlearchitects.com
© 2012 John Wardle Architects ABN 83 006 814 268

Client **University of Melbourne Parkville Campus**

Project **Faculty of Architecture Building and Planning**

Title **DOOR JAMB DETAILS SHEET 07**

Project No.	0913	Scale	
Drawing No.	AR7512	Revision	A
Date	Dwn	Co-Ord	Chk

FILENAME - \$FILES
FOR CONSTRUCTION